

8

7

6

5

4

3

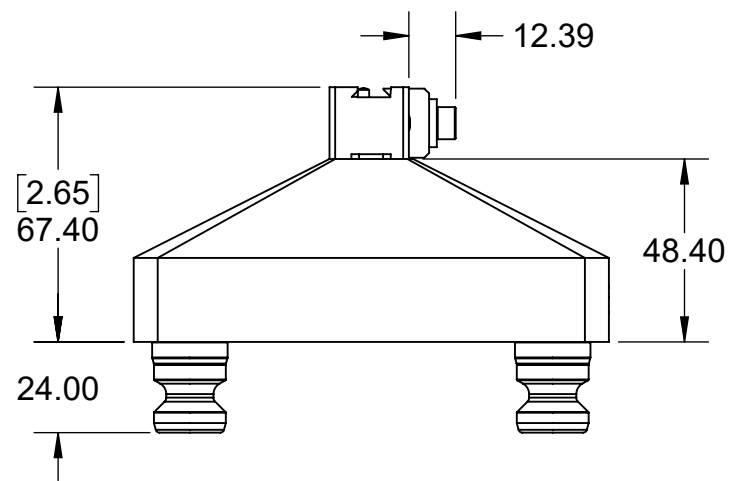
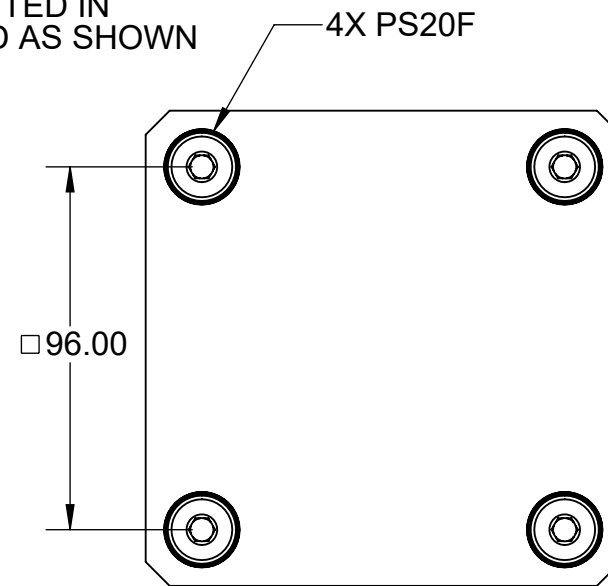
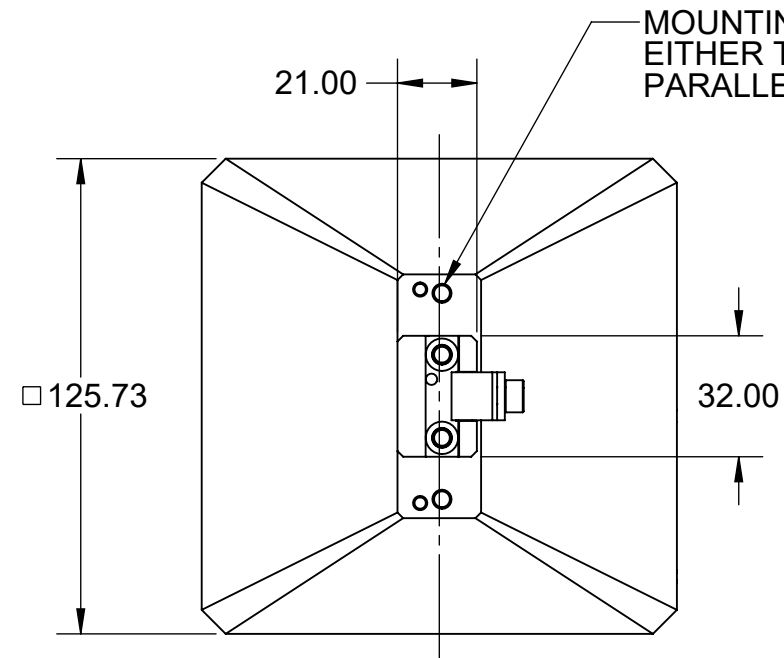
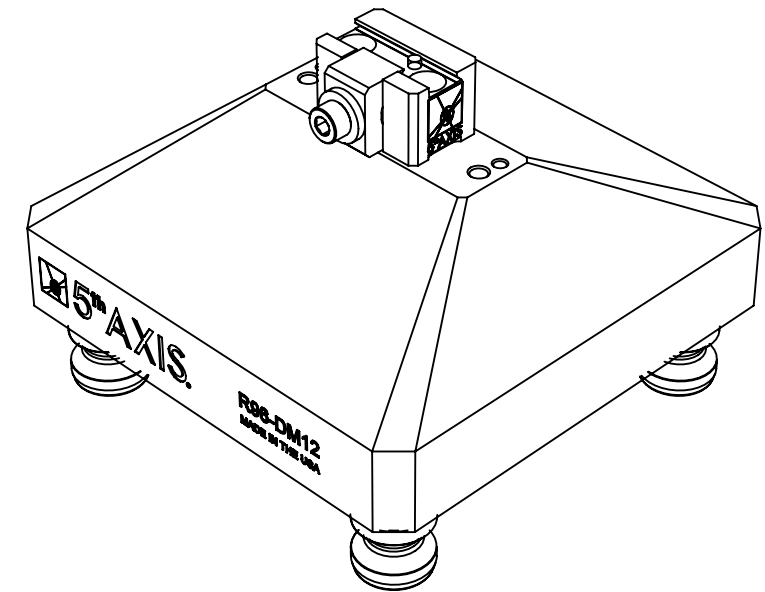
2

1

D

D

R96-DM12



MILLIMETER <small>DRAWN IN ACCORDANCE WITH ASME Y14.5-2009</small> WWW.5THAXIS.COM 7140 ENGINEER ROAD SAN DIEGO, CA 92111 P (858) 505-0432 F (858) 505-9344	TOLERANCES <small>UNLESS OTHERWISE SPECIFIED</small> x ± 0.1 .xx ± 0.01 .x ± 0.05 .xxx ± 0.005 ANGULAR ± 0.5° <small>THIRD ANGLE PROJECTION</small>			
	DESCRIPTION ROCKLOCK™ 96MM DM12 FIXTURE	SIZE B	PART NO. R96-DM12	REV A
DO NOT SCALE DRAWING		SCALE 1:2	WEIGHT:	SHEET 1 OF 2

8

7

6

5

4

3

2

1

A

A

8

7

6

5

4

3

2

1

D

D

C

C

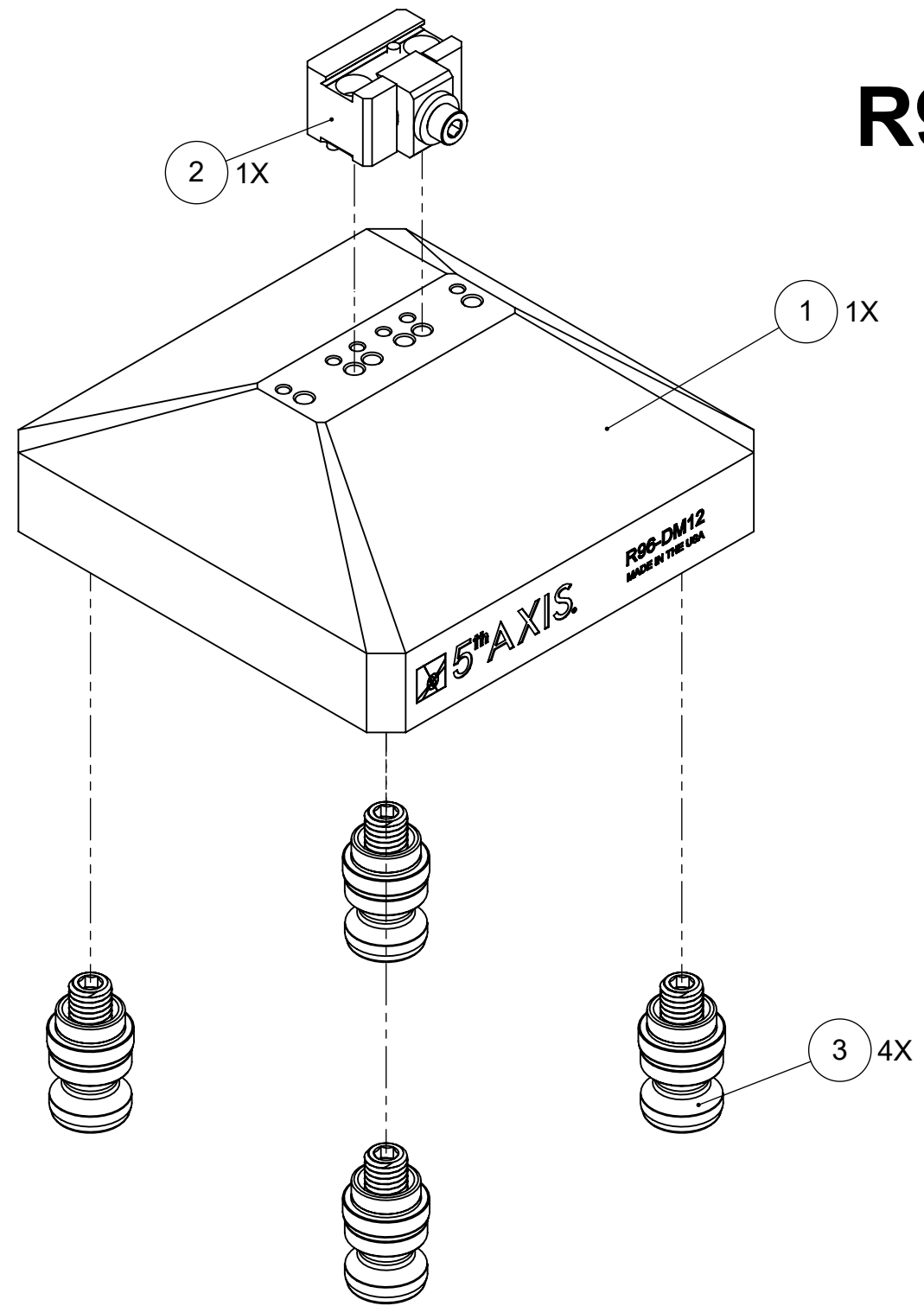
B

B

A

A

R96-DM12



ITEM NO.	PART NUMBER	DESCRIPTION	QTY.
1	R96-DM12-1	RISER	1
2	DM12	METRIC DOVETAIL FIXTURE, 12MM	1
3	PS20F	ROCKLOCK INTERFACING PIN	4

MILLIMETER <small>DRAWN IN ACCORDANCE WITH ASME Y14.5-2009</small> <small>WWW.5THAXIS.COM</small> <small>7140 ENGINEER ROAD SAN DIEGO, CA 92111</small> <small>P (858) 505-0432 F (858) 505-9344</small>	TOLERANCES <small>UNLESS OTHERWISE SPECIFIED</small> x ± 0.1 .xx ± 0.01 .x ± 0.05 .xxx ± 0.005 ANGULAR ± 0.5° <small>THIRD ANGLE PROJECTION</small>		
		DESCRIPTION ROCKLOCK™ 96MM DM12 FIXTURE	
SIZE B PART NO. R96-DM12 REV A		<small>DO NOT SCALE DRAWING</small>	<small>SCALE 2:3</small>
		<small>WEIGHT:</small>	<small>SHEET 2 OF 2</small>

8

7

6

5

4

3

2

1